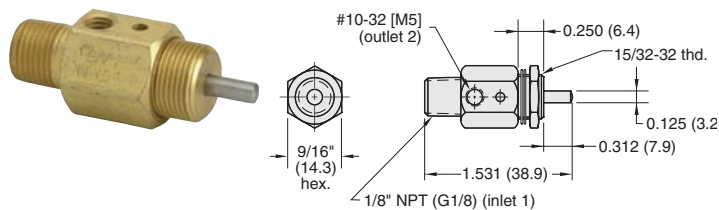


## Normally-Open Spool Valve



**Input Pressure:** 150 psig max.

**Air Flow:** 6 scfm @ 50 psig; 100 scfm @ 100 psig

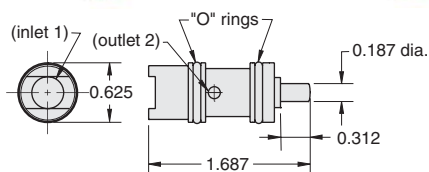
**Force For Full Stem Travel:** 32 oz. nominal

**Mounting:** 15/32-32 thread. Nut and lockwasher furnished.



Part No.	Description
<b>MAVO-2P</b>	Normally-Open Spool Valve

## J-Series Cartridge Valves



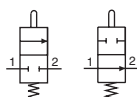
**Input Pressure:** 300 psig

**Air Flow:** 11 scfm @ 50 psig; 22 scfm @ 100 psig

**Force For Full Stem Travel:** 24 oz. nominal

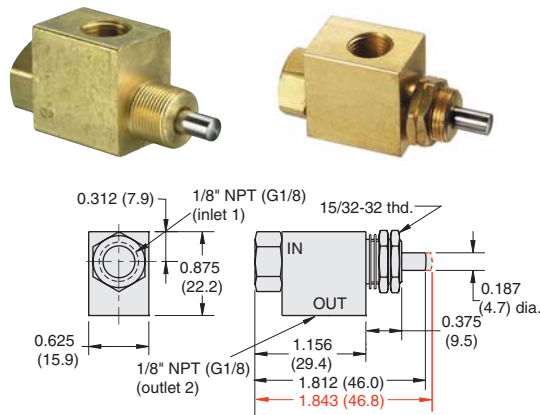
**Mounting:** Inserts into a 5/8" bore (0.625" ±0.001)

**Note:** See page 118 for mounting details



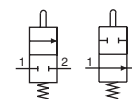
Part No.	Description
<b>MJV-2C</b>	Normally-Closed Cartridge Valve
<b>MJVO-2C</b>	Normally-Open Cartridge Valve

## J-Series Miniature Poppet Valves



**Input Pressure:** MJV-2/MJV-2-MG - 300 psig/21 bar max.  
MJVO-2/MJVO-2-MG - 150 psig/10 bar max.

**Air Flow:** MJV-2/MJV-2-MG - 14.0 scfm @ 50 psig;  
25 scfm @ 100 psig; 600 l/min @ 6 bar  
MJVO-2/MJVO-2-MG - 7 scfm @ 50 psig;  
12 scfm @ 100 psig; 600 l/min @ 6 bar



**Force For Full Stem Travel:** MJV-2/MJV-2-MG - 38 oz. nominal  
MJVO-2/MJVO-2-MG - 36 oz. nominal

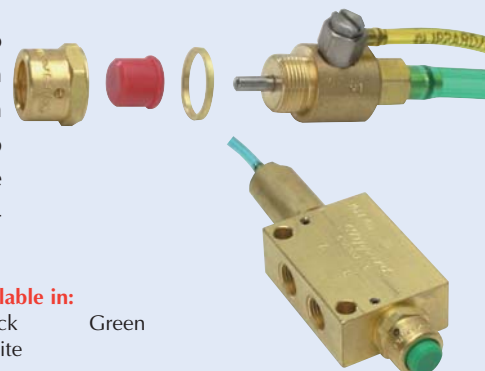
**Mounting:** 15/32-32 thread. Nuts and lockwashers furnished.

Part No.	Description
<b>MJV-2</b>	Normally-Closed Poppet Valve, 1/8" NPT
<b>MJV-2-MG</b>	Normally-Closed Poppet Valve, G1/8
<b>MJVO-2</b>	Normally-Open Spool Valve, 1/8" NPT
<b>MJVO-2-MG</b>	Normally-Open Spool Valve, G1/8

## Captivated Push Buttons



The small compact size make the push buttons adaptable to panel mounting. Unlike set screw retained buttons, the screw-on design will not allow the button to fall off. Designed to work with Clippard MAV, MJV, and FV series valves, these buttons also help protect the valve by preventing over-traveling of the stem and the potential for side-load on the valve. See page 143 for more information.



Button Housing Available in:		Button Colors Available in:		
Black Chrome	Electroless	Yellow	Black	Green
Brass	Nickel Plated	Red	White	